



## INSTRUCTION MANUAL



**model**  
**ZEBU 06PLL**

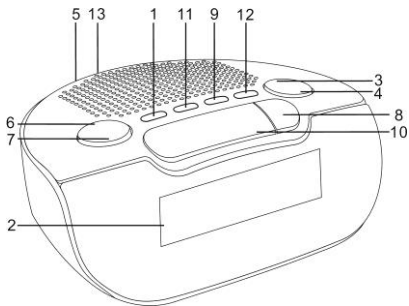
[www.eltra.pl](http://www.eltra.pl)

[www.audiox.eu](http://www.audiox.eu)

AUDIOX, Narcyzowa 2a, 86-005 Lipniki



## Location of Controls



### Unit

- |    |                           |     |              |
|----|---------------------------|-----|--------------|
| 1. | POWER                     | 8.  | SLEEP        |
| 2. | LED Digital Clock Display | 9.  | SET          |
| 3. | VOLUME $\Delta$ / AL1     | 10. | SNOOZE       |
| 4. | VOLUME $\nabla$ / AL2     | 11. | DIM          |
| 5. | FM ANTENNA                | 12. | MEM (Memory) |
| 6. | TUNING $\Delta$ / HR      | 13. | Battery Door |
| 7. | TUNING $\nabla$ / MIN     |     |              |



### LED Display

- |     |                      |     |                      |
|-----|----------------------|-----|----------------------|
| 14. | AL1 buzzer indicator | 16. | AL2 buzzer indicator |
| 15. | AL1 radio indicator  | 17. | AL2 radio indicator  |

## Memory Backup for Time Settings and Preset Stations

It is advisable to fit back-up batteries (not supplied) to the unit to prevent loss of the clock time (keep operating), alarm time and preset stations settings during a power failure.

1. Slide off the **Battery Door (13)** from the underside of the unit.
2. Insert 2xAAA size/LR03 (or equivalent) batteries with correct polarity +/- in the battery compartment
3. Refit the **Battery Door (13)**.

## Basic Operation

### Standby Mode

After connecting the power supply, the unit is in standby mode and the clock time 0:00 will flash. Please refer to "Clock and Alarm Time Setting" to set the time. Press the **POWER (1)** button to turn on the unit or press it again to go back to the standby mode.

### Power On / Radio Mode

Press the **POWER (1)** button to switch on the unit, the current radio frequency appears on the display for about 5 seconds, after which the current time indication returns to the display.

## Clock and Alarm Time Setting

### Clock Time Setting

In standby mode,

1. Press and hold the **SET (9)** button until the hour and minute digits flash.
2. Press the **HR (6)** button to set the hours.
3. Press the **MIN (7)** button to set the minutes.
4. Press the **SET (9)** button again to confirm the clock time setting (hour and minute digits will become solid when finished)



### Alarm 1 Time Setting

In standby mode,

1. Press and hold **AL1 (3)** button until the hour and minute digits flash.
2. Press the **HR (6)** button to set the hours.
3. Press the **MIN (7)** button to set the minutes.
4. Press **AL1 (3)** button again to confirm the alarm 1 time setting (current time indication returns to the display when finished).

### Alarm 2 Time Setting

In standby mode,





1. Press and hold **AL2 (4)** button until the hour and minute digits flash.
2. Press the **HR (6)** button to set the hours.
3. Press the **MIN (7)** button to set the minutes.
4. Press **AL2 (4)** button again to confirm the alarm 2 time setting (current time indication returns to the display when finished).

**PLEASE NOTE:** When operating from batteries only (during back-up mode), the display will be off and the clock will only remain accurate for a short period of time. The clock accuracy will decrease due to the voltage drop of the backup batteries. It is important that the mains supply is restored as soon as possible. If no backup battery is installed or the power interruption is prolonged, you will need to set the clock again.

## Alarm Operation

### Wake up by Buzzer or Radio

In standby mode, you can set the alarm mode at the preset alarm times :

- To set or adjust the alarm time, follow the steps in "Clock and Alarm Time Setting".
- To set alarm mode (radio or buzzer) or disable the alarm function for **ALARM 1**, Press **AL1 (3)** repeatedly until the desired alarm mode appears on the display. Each time you press **AL1 (3)**, the alarm indication changes as follows :  
No alarm indication (alarm 1 is disabled) →  **AL1 buzzer indicator (14)** →  **AL1 radio indicator (15)** → No alarm indication (alarm 1 is disabled)
- To set alarm mode (radio or buzzer) or disable the alarm function for **ALARM 2**, Press **AL2 (4)** repeatedly until the desired alarm mode appears on the display. Each time you press **AL2 (4)**, the alarm indication changes as follows :  
No alarm indication (alarm 2 is disabled) →  **AL2 buzzer indicator (16)** →  **AL2 radio indicator (17)** → No alarm indication (alarm 2 is disabled)
- When the preset alarm time is reached, the alarm will sound in the selected alarm mode unless the alarm function is disabled.

**Note:** While volume of buzzer alarm is fixed and cannot be adjusted, the volume and frequency of radio alarm are preset as last tuned. When the radio alarm sounds, you can also adjust the listening level by **VOLUME Δ (3) / ▽ (4)** buttons. To select the station, refer to "Radio Operation".

### Review the Alarm Time

In standby mode, press and hold **AL1 (3)** button for **ALARM 1** or **AL2 (4)** button for **ALARM 2** until then the alarm time setting blinks in the display. Press **AL1 (3)** (for **ALARM 1**) or **AL2 (4)** (for **ALARM 2**) again to return to the clock time display.

### Snooze Function

When the alarm is sounding, press the **SNOOZE (10)** button to stop the alarm temporarily. The

"**AL1/AL2 buzzer indicator (14)/(16)** or **AL1/AL2 radio indicator (15)/(17)**" will keep blinking while the snooze function is in operation, and the alarm will sound again after about 9 minutes. To stop the alarm, press the **POWER (1)** button once. The alarm indicator will become solid and the alarm will function at the same time the next day.

## Adjusting the brightness of the display (dimmer control)

Press the **DIM (11)** button to switch between High or Low dimmer as required.

## Radio Operation

### Listen to the Radio

- Press the **POWER (1)** button to turn on the radio.  
The default frequency 87.5 (MHz) (for first use) or the last tuned frequency will be displayed.



- Automatic tuning - Press and hold **TUNING**  $\Delta$  (6) /  $\nabla$  (7) button until the frequency displayed move up or down. Release the button. The tuner will scan and stop for the first strong station. Repeat until the desired station is reached.
- Manual fine-tuning - Press **TUNING**  $\Delta$  (6) /  $\nabla$  (7) button repeatedly to adjust the frequency by each step.

### Volume Control

In radio mode, Press the **VOLUME**  $\Delta$  (3) /  $\nabla$  (4) button to adjust the volume level.

### Achieve Optimum Reception

Extend the **FM antenna** (5) fully to increase reception sensitivity.

### Program Preset Radio Stations

You can store up to 10 preset stations for radio.

- Tune in the station you want to preset.
- Press and hold the **SET** (9) button until the program number flashes.
- Press the **SET** (9) button again to store the station.
- Repeat these steps to store additional stations.



### Recall a Preset Station

In radio mode, press the **MEM** (12) button repeatedly to the program number of which the desired station is stored.

## SLEEP TIMER

In radio mode, you can use this function to turn off the unit automatically after a certain duration (up to 90 minutes).

- Press the **SLEEP** (8) button, and "90" is displayed.
- Press the **SLEEP** (8) button repeatedly to select the duration: 90, 80, 70... Each time the button is pressed, the duration is reduced by 10 minutes, until "OFF" is displayed.
- The radio will turn off automatically after the preset duration has elapsed.
- To check the remaining playing time, press the **SLEEP** (8) button once.
- To cancel the sleep function and continue to listen to the radio, press the **SLEEP** (8) button again and set the timer to "OFF". To turn off the radio immediately, press the **POWER** (1) button.



## Care and Maintenance

Clean the cabinet with a soft cloth moistened with water or mild detergent. Do not use solvents such as alcohol, benzene or thinner, as they may damage the cabinet finish. Make sure to disconnect the mains lead from the supply before cleaning.

## Caution

1. Do not attempt to disassemble or alter any part of the equipment that is not expressly described in this guide. Disassembly or alteration may result in high-voltage electrical shock. Internal inspections, alterations and repairs should be conducted by qualified service personnel only.
2. Ensure minimum distances of 5cm around the apparatus for sufficient ventilation. Do not place the product in closed bookcases or racks without proper ventilation. Ensure that the ventilation is not impeded by covering the ventilation openings with items, such as newspapers, table-cloths, curtains, etc.
3. No naked flame sources, such as lighted candles, should be placed on the apparatus.
4. It shall not be exposed to dripping or splashing and that no objects filled with liquids, such as vases, shall be placed on the apparatus.
5. Use of power sources, or batteries not expressly recommended for this equipment may lead to overheating, malfunction of the equipment, fire, electrical shock or other hazards. Use only the recommended power source.
6. Do not use or store the equipment in humid or dusty area. Attention should be drawn to the use of apparatus in tropical and/ or moderate climates.
7. Danger of explosion if battery is incorrectly replaced. Replace only with the same or equivalent type. Batteries shall not be exposed to excessive heat such as sunshine, fire or the like. Never throw batteries in fire! Attention should be drawn to the environmental aspects of battery disposal.
8. Where the mains plug or an appliance coupler is used as the disconnect device, the disconnect device shall remain readily operable.
9. Marking plate is located at bottom enclosure of the apparatus.

## Power Supply and Frequency Range

Power Source	:	AC230V~50 Hz, 5W
Back-up Batteries	:	2 x 1.5V "AAA" size/LR03 batteries or equivalent (not supplied)
Frequency Range	:	FM 87.5 – 108 MHz
Power Consumption (standby mode)	:	<1W

Due to continuous product development, design and specifications are subject to change without notice.